



<b>Model</b>	<b>HI200</b>
Cordwood BTU's	55,000 BTU's
Emissions (grams/hr) EPA Certified	3.0 grams/hr
Flue Size	6" (152mm)
Max. Log Size	18"

### Minimum Fireplace Opening:

Height	19-5/8" (499mm)
Width	23" (584mm)
Depth:	
(w/ standard flue adaptor)	15-1/16" (383mm)
(w/ offset flue adaptor)	17-11/16" (449mm)

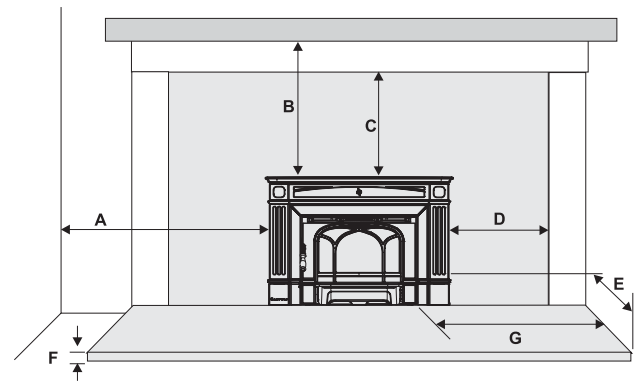
This manual is intended to be a Sales Reference Guide only. Do NOT use for actual framing and installation of any unit. Some specifications may change without notice. You must use the actual manual for exact installation specifications.

### WARNING

Failure to maintain required clearances is a major cause of chimney related fires. Installation of this fireplace must comply with these clearances

Please note: Due to ongoing product development, product appearance and specifications are subject to change without notice.

### Clearance Requirements



Dimension	Description	HI200
A	Adjacent Side Wall (to side)	15" (381mm)
B	Mantle (to top)**	20" (508mm)
C	Top Facing (to top)	14" (356mm)
D	Side Facing (to side)	7-3/8" (187mm)
E	Minimum Hearth Extension*	16" (406mm) US 18" (457mm) Can
F	Minimum Hearth Thickness*	1-1/2" (38mm)
G	Minimum Hearth Side Extension	6" (152mm) US 8" (203mm) Can

Side and Top facing is a maximum of 1.5" thick. Floor protection must non-combustible, insulative material with an R value of 1.1 or greater.

\* If the hearth extension is flush with the floor (F) it must extend 19.5" in front of the body face (E).

Note: Hearth Extension Width (G) is measured from edge of fuel door to side of hearth.

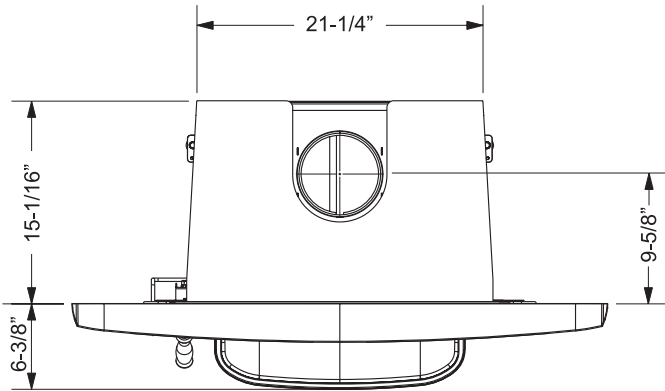
\*\* A non-combustible mantel may be installed at a lower height if the framing is made of metal studs covered with a non-combustible board.

# Hampton HI200 Small Cast Iron Wood Insert



HI200 Wood Insert

## Unit Dimensions with Standard Flue Adaptor



## Unit Dimensions with Offset Flue Adaptor

